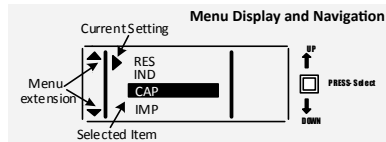
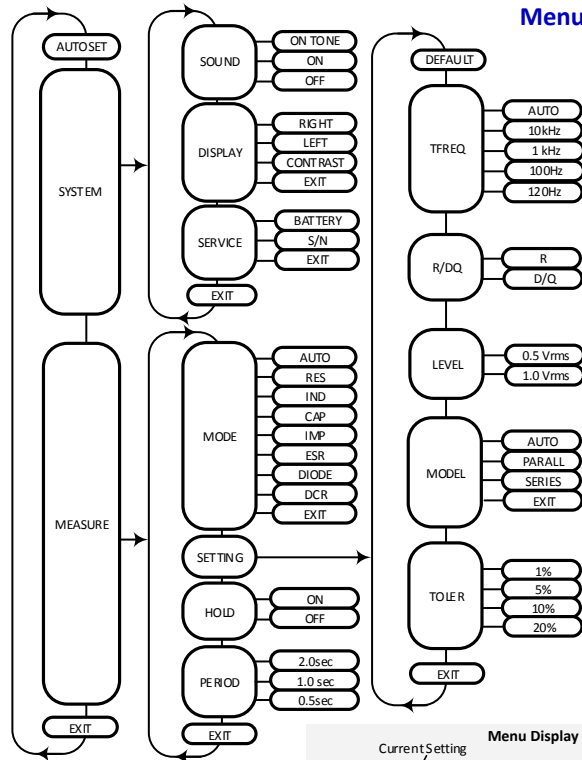


SMART TWEEZERS™ Colibri™ MODEL: ST55

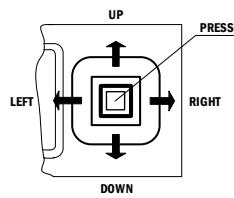
Menu Structure



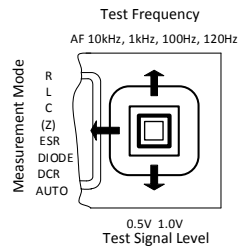
SMART TWEEZERS™ Colibri™ MODEL: ST55

Quick Start Guide

Navigation Control



Quick Controls



Turn On Smart Tweezers™

PRESS to turn on Smart Tweezers™

Enter Smart Tweezers™ Menu

PRESS to enter menu

Switch to a Manual Measurement mode

<p>Rs= 53.01m Ω AM AF 10 kHz L 9.47uH</p> <p>PRESS to enter the menu</p>	<p>AUTOSET SYSTEM MEASURE EXIT</p> <p>Highlight MEASURE, PRESS</p>	<p>MODE SETTING HOLD PERIOD EXIT</p> <p>Highlight MODE, PRESS</p>	<p>AUTO RES IND CAP TEMP</p> <p>ESR DIODE EXIT</p> <p>Highlight a mode, PRESS</p>
--	--	---	---

Reset Measurement Parameters to Default

<p>Rs= 53.01m Ω AM AF 10 kHz L 9.47uH</p> <p>PRESS to enter the menu</p>	<p>AUTOSET SYSTEM MEASURE EXIT</p> <p>Highlight MEASURE, PRESS</p>	<p>MODE SETTING HOLD PERIOD EXIT</p> <p>Highlight SETTING, PRESS</p>	<p>PRESENT T FREQ R/DIG RANGE LEVEL</p> <p>MODEL TOLER NULL EXIT</p> <p>Highlight DEFAULT, PRESS</p>
--	--	--	--

Reset to the Automatic Measurement Mode

<p>Rs= 53.01m Ω AM AF 10 kHz L 9.47uH</p> <p>PRESS to enter the menu</p>	<p>AUTOSET SYSTEM MEASURE EXIT</p> <p>Highlight AUTOSET, PRESS</p>
--	--

⚠ DISCHARGE CAPACITOR BEFORE MEASUREMENTS